

PYXIS  
**AVIATION**  
GROUP  
navigating the deal



**SPECIFICATIONS - FEB 2025**

# **CESSNA CITATION**

**LATITUDE**

**SN 680A-0235**



DELIVERY YEAR

**2020**



TOTAL TIME

**2,914**



LANDINGS

**1,843**

## HIGHLIGHTS

- > Engines and APU enrolled on JSSI
  - > Airframe enrolled on ProParts
    - > In great condition
- > EASA Commercial Ops Certified
  - > Wifi SwiftBroadband

# SPECIFICATION CESSNA CITATION LATITUDE

Airframe	
Serial Number	680A-0235
Delivery Year	2020
Registration	OE-GLC
Certification	EASA Commercial Ops
Total Airframe Hours	2,914
Landings	1,843
Location	Europe

Engines		
Pratt & Whitney 306 D1		
	ENGINE 1	ENGINE 2
Serial Numbers	-	-
Time Since New	2,914	2,914
Cycles Since New	1,843	1,843
Engine Program	JSSI	

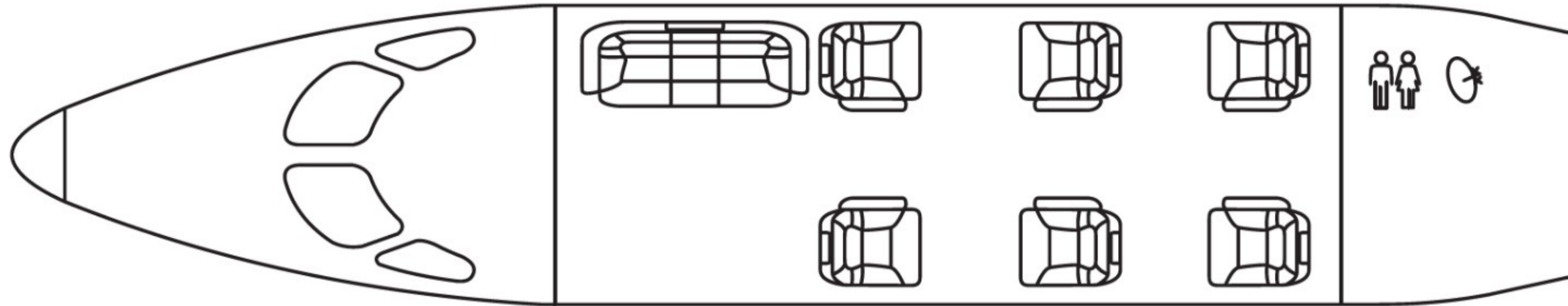
APU	
Honeywell RE100-CS	
SN	-
TSN	2,150
CSN	2,779
APU Program	JSSI

Avionics	
ADF	Garmin
AVIONICS PACKAGE	Garmin G5000
COMMUNICATION RADIOS	Dual Garmin
CVR	Yes
DME	Dual Garmin
FDR	Yes
FMS	Dual Garmin
GPS	Garmin
HI-FREQUENCY	Yes
NAVIGATION RADIOS	Dual Garmin
SATCOM	AirCell Axxess II Iridium
TAWS	Garmin Class A
TCAS	Garmin GTS-8000 TCAS-II w/change 7.1
TRANSPONDER	Dual Mode S diversity w/extended squitter
WEATHER RADAR	Garmin GWX-70

Compliance	
ADS-B Out V2	
EASA CAT Ops Compliant	
Airframe Program on ProParts	
Interior	
Configuration	9 Passengers, including belted lavatory
Interior	2020
Forward Cabin	Main Door Facing 2 x Place Divan
Mid Cabin	4 x Club Seat Arrangement
Aft Cabin	2 x Executive Single Seats Club 1 x Belted Lavatory
Galley	Nespresso Machine, Microwave provisions, Cooler
Lavatories	Aft Lavatory
Connectivity	SBB Wi-Fi
Paint Scheme	Pearl White with Dark Blue Empennage
Year	2020

# SPECIFICATION CESSNA CITATION LATITUDE

## CABIN PLAN VIEW



PYXIS  
AVIATION  
GROUP  
navigating the deal





**PYXIS**  
**AVIATION**  
**GROUP**  
navigating the deal





PYXIS  
AVIATION  
GROUP  
navigating the deal





PYXIS  
AVIATION  
GROUP  
navigating the deal



PYXIS  
AVIATION  
GROUP  
navigating the deal



PYXIS  
AVIATION  
GROUP  
navigating the deal





## Contact

### **Shiloh Saatori**

Executive Vice President

Phone: M: +43 676 83211717

E-mail: [s.saatori@pyxis.aero](mailto:s.saatori@pyxis.aero)

[www.pyxis.aero](http://www.pyxis.aero)

## Notes

Specifications, descriptions, terms, and pricing are provided as introductory information only. Interested parties should rely upon their own inspections and examinations of aircraft and their records. This introductory information is subject to changes and/or correction and does not constitute representations or warranties by Pyxis Aviation Group or its clients. This material does not represent a binding offering, and aircraft are subject to prior sale and/or withdrawal from the market at any time.